



## Features & Benefits

### Fine fan spray

High quality fan spray spreads evenly and perfectly. Ideal for specific application e.g. personal care, cooking

### Propellant-Free & Non-Pressurized

Free your brands from problematic propellant gases and high-pressurized packaging.

### Filter system

The special filter prevents the system of clogging and makes it possible to dispense thicker substances like olive oil or other more viscous liquids.

### Re-fillable

Providing sustainability for your brand.

### Re-fill bottle

The re-fill bottle provides means to stay connected with your consumer, increases sustainability & saves costs.

## Specifications

### Head

Spray pattern  
Diamond shape fan spray

### Nozzle

0.52x0.17

### Output

± 1.2 gram

### Spray duration

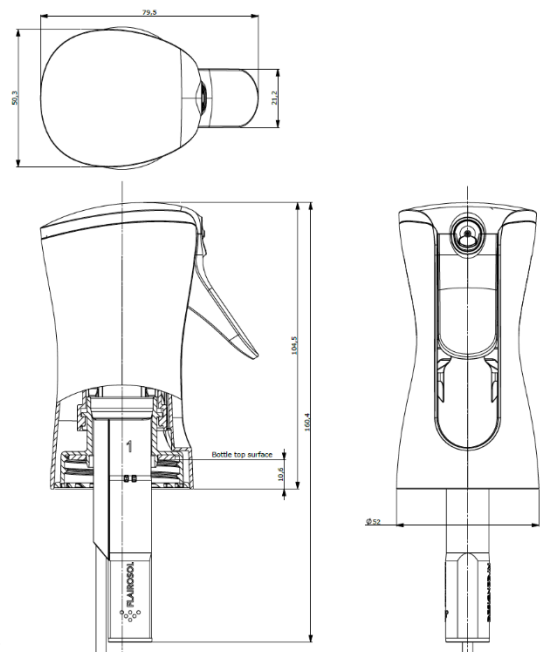
±0.8 sec

### Materials




PP,PE and metal spring

### Standard colors

Black, White



# Bottle Range

Claim volume	Shape	Material	Neck	Color	Image
180 ml / 6.1 oz	Cylindrical	PET	Bayonet non-lock	Black White Transparent	
290 ml / 9.8 oz	Cylindrical	PET	Bayonet non-lock	Black White Transparent	
330 ml / 11.2 oz	Conical	PET	Bayonet non-lock	Black White Transparent	
600ml / 20.3 oz	Spherical	PET	Bayonet non-lock	Black White Transparent	n/a

## Refill Cap

Material: PP  
Weight: 8.9 gram  
Colors: Black, White



## Bayonet closure



The bayonet closure allows for easy attachment and detachment of the bottle, only an 45° twist movement is required.

## Transport lock

Material: PP  
Color: Red, Transparent



Americas: +1 8622 6094 50  
Asia & Pacific: +65 9751 2994  
China: +86 2131 0639 00  
Europe & Africa: +31 40 309 9600

info@flairosol.com  
www.flairosol.com

FLAIROSOL IS A BRAND OF **AFA** Dispensing